

STRAINER

PN 16 3"-8" (80-200mm)
Bulged body



LONG LIFE VALVES

Products

202	Coating	Nominal size							
		mm	50	80	100	150	200	250	300
		inches	2"	3"	4"	6"	8"	10"	12"
Type 001	Epoxy			*	*	*	*		
Type 002	Nylon11 (Rilsan)			*	*	*	*		

Flange connection: DIN, BS

Order example: 202 type 001 DN 150 DIN

Description

Application

For filtering the liquid flow from solids.
One way self acting.
Working temperature up to 110°C.

Coating

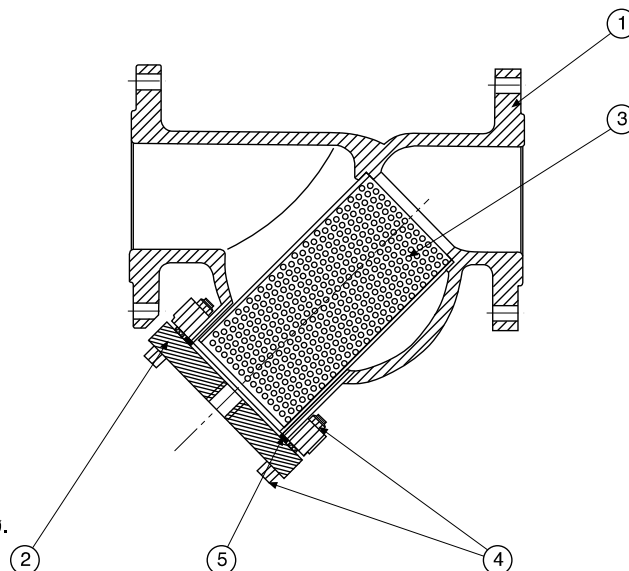
Epoxy - 60-80 mic.
Nylon 11 (Rilsan) 250 mic.

Screen

- Perforated stainless steel plate strainer with 50% holes of 3.25 mm ø.
- Optional - double screen for better filtration.

Advantages

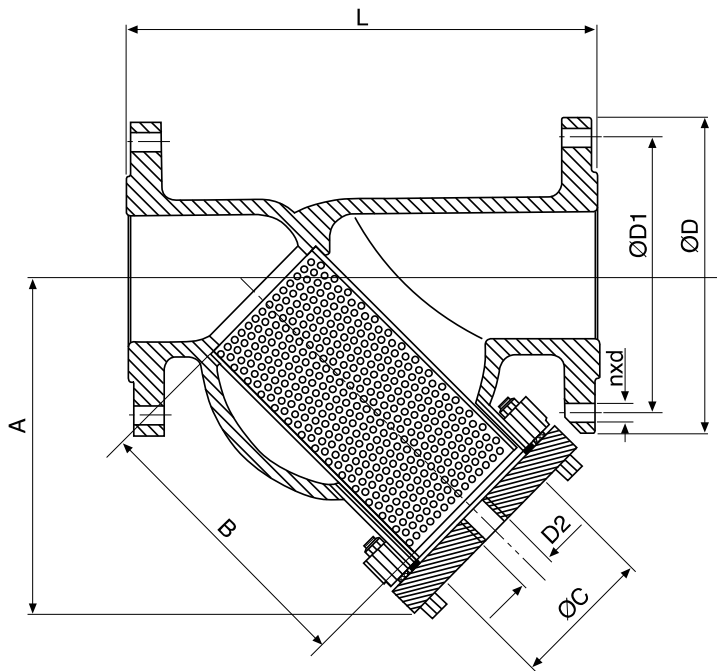
- Light weight
- Bulged body design for smooth water circulation - Very low head loss and less maintenance
- Silent operation
- Easy handling & installation
- Compact height



Material Specification		
1	Body	Cast iron GG25
2	Cover	ST-37
3	Screen	Stainless steel 304 / 316
4	Screw+Nut	Stainless steel/Galvanized steel
5	Gasket	NBR / EPDM

Applications for:	Drinking water	Air cooling system	Hot water	Steam	Water treatment	Sewage water	Sea water	Desalination plants	Chemical industry	Food industry	Pulp/Paper industry	Dry air	Gas	Vacuum
	✓	✓	✓		✓	✓	✓	✓		✓	✓	✓	✓	

Dimensions (mm)



202 Dimensions Table

	Dimension	DN							
		mm	50	80	100	150	200	250	300
		inches	2"	3"	4"	6"	8"	10"	12"
General	A		192	235	287	385			
	B		170	170	208	245			
	C		90	110	164	215			
	L		285	300	395	495			
	D2		1 1/2"	1 1/2"	1 1/2"	1 1/2"			
	[Kg]		18	23	49	72			
Flange dimension AS-2129 (BS10)	D		185	220	281	340			
	D1		146	178	235	292			
	n x d		4 x 18	4 x 18	8 x 18	8 x 18			
Flange dimension EN-1092-2 (ND)	D		185	220	281	340			
	D1		160	180	240	295			
	n x d		8 x 19	8 x 19	8 x 23	12 x 23			

Dimensions and weight can be changed without notification.